

PRODUCT CODE: MB9B
MALLEABLE CONDUIT BOX



DESCRIPTION

25mm Malleable Through Conduit Box

FINISH

Black Enamel

MATERIAL

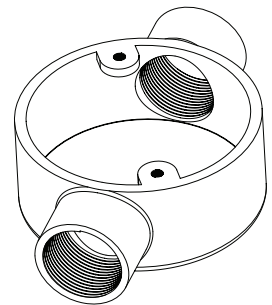
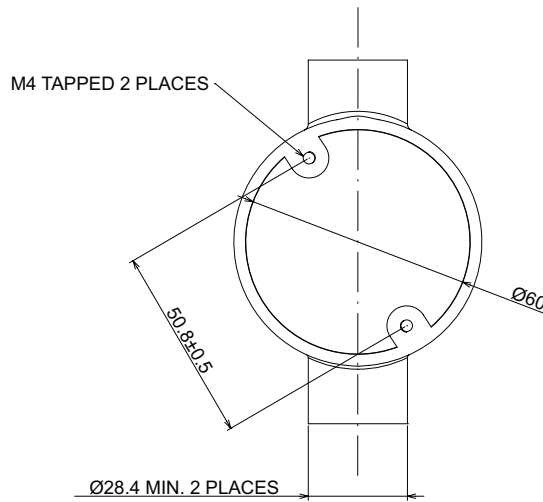
Malleable Iron

PACKAGING

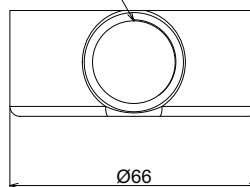
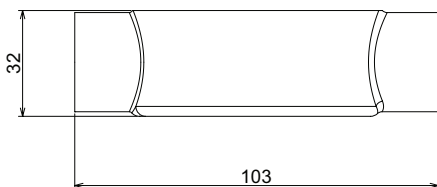
Packed in qty 10


ADDITIONAL NOTES

Conforms to BS EN61386-1:2008
Compliant to LU Standard 1-085 (for use on surface & sub-surface locations)



M25 CONDUIT THREAD 16mm DEEP 2 PLACES



 Values are nominal and with a general tolerance ±5% unless otherwise specified